

OPTIMA

SUBMERSIBLE ELECTRIC PUMPS

in AISI 304



Submersible electric pumps for clean water with hydraulics in AISI 304 stainless steel.

APPLICATIONS

- Draining wells, garages, cellars or places subject to flooding
- Irrigation of gardens and vegetable patches
- Movement of seepage water or draining of unfoul waste water

TECHNICAL DETAILS

- Equipped with mechanical seal as per standard
- Reliable and corrosion proof
- Highly versatile
- They can be used in fixed or mobile installations
- Equipped with 5 m of H05 RN-F power supply cable for indoor use (10 m for outdoor use), with or without float

TECHNICAL DATA

- Maximum immersion: 5 m
- Maximum temperature of the liquid: 50°C
- Max. solids size for passage: 10 mm
- Asynchronous motor, 2 poles
- Class of insulation F
- IP68 Protection rating
- 230V \pm 10%, 50 Hz single phase voltage
- Discharge connection G1¼

MATERIALS

- Pump body, suction grill, seal housing disc and motor pump body in AISI 304
- Impeller in PPE+PS reinforced with fibreglass
- Shaft in AISI 303
- Standard mechanical seal (Carbon/Ceramic/NBR)

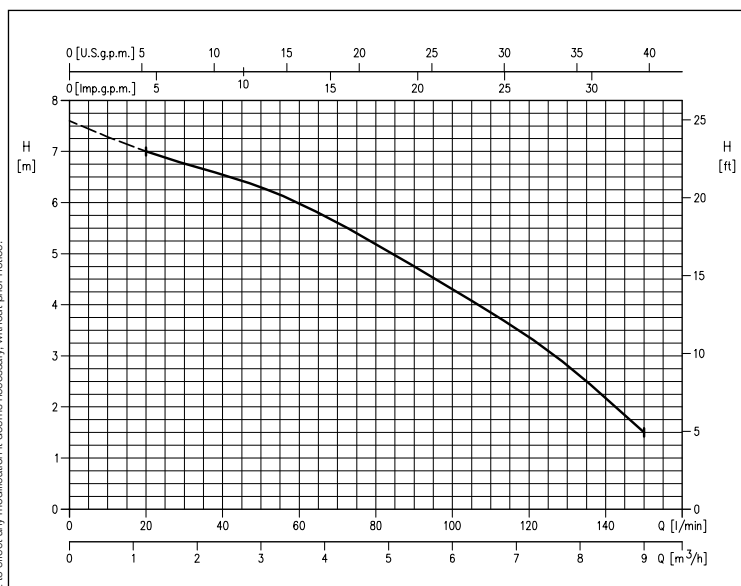
SPECIAL VERSIONS

- MS version with small MS (Magnetic Switch) vertical magnetic float for clean waters
- MA version with float

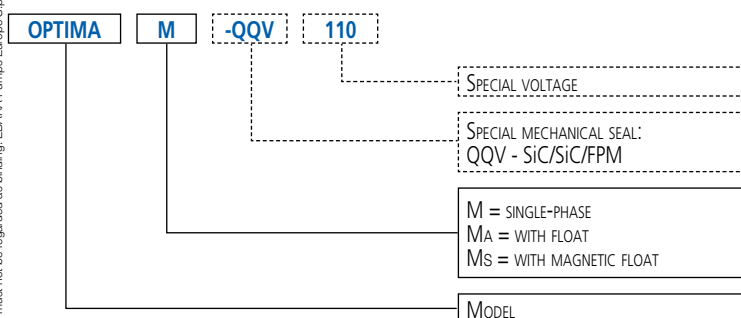
ACCESSORIES (on request)

- 1"¼ outlet connector and relative clamp
- Minimum suction device up to 3 mm

PERFORMANCE CURVES (according to ISO 9906 Attachment A)



IDENTIFICATION CODE



For other accessories and control panels see from page 142

OPTIMA

SUBMERSIBLE ELECTRIC PUMPS

in AISI 304

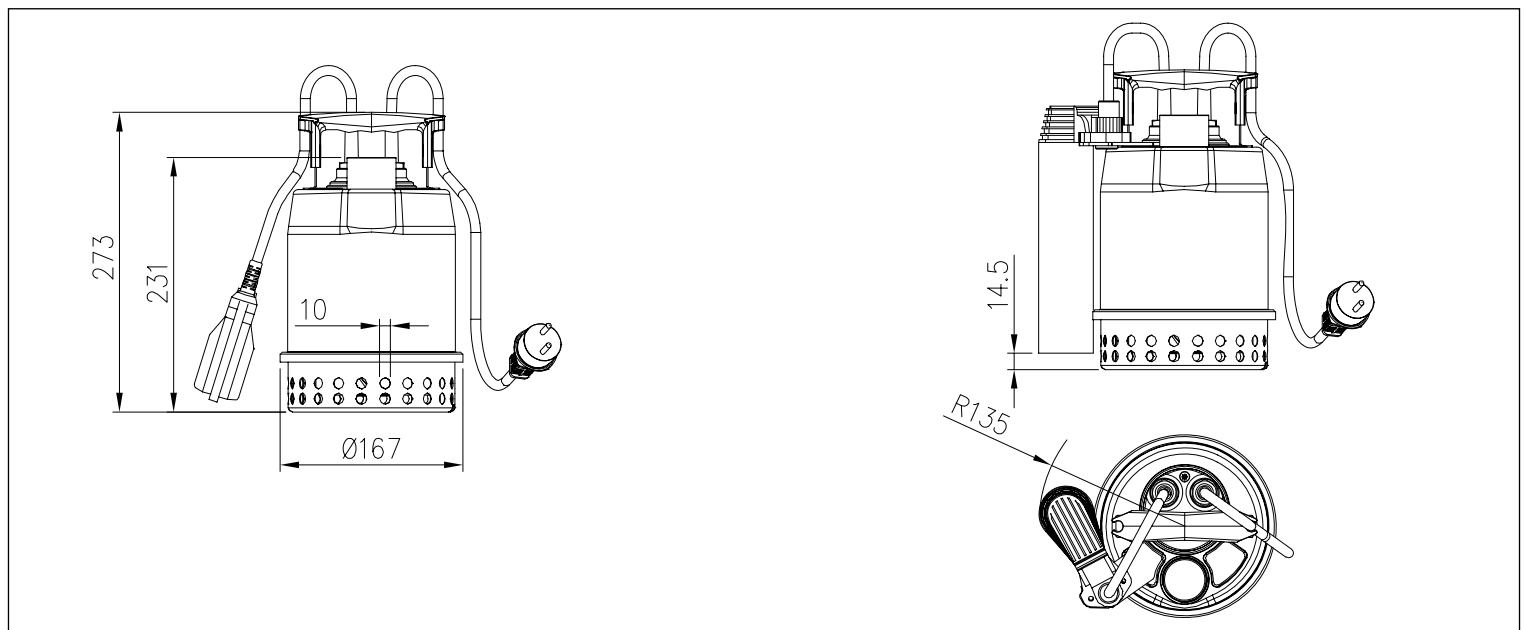
PERFORMANCE TABLE

Model	P.		Capacitor		Absorbed Curr. [A]	Q=Flow rate						Weight [kg]
	[HP]	[kW]	μF	Vc		l/min m ³ /h	20 1,2	50 3	75 4,5	100 6	125 7,5	
OPTIMA M	0,33	0,25	8	450	1,9	7,0	6,3	5,4	4,3	3,1	1,5	4,2
OPTIMA MA	0,33	0,25	8	450	1,9	7,0	6,3	5,4	4,3	3,1	1,5	4,4
OPTIMA MS	0,33	0,25	8	450	1,9	7,0	6,3	5,4	4,3	3,1	1,5	4,6

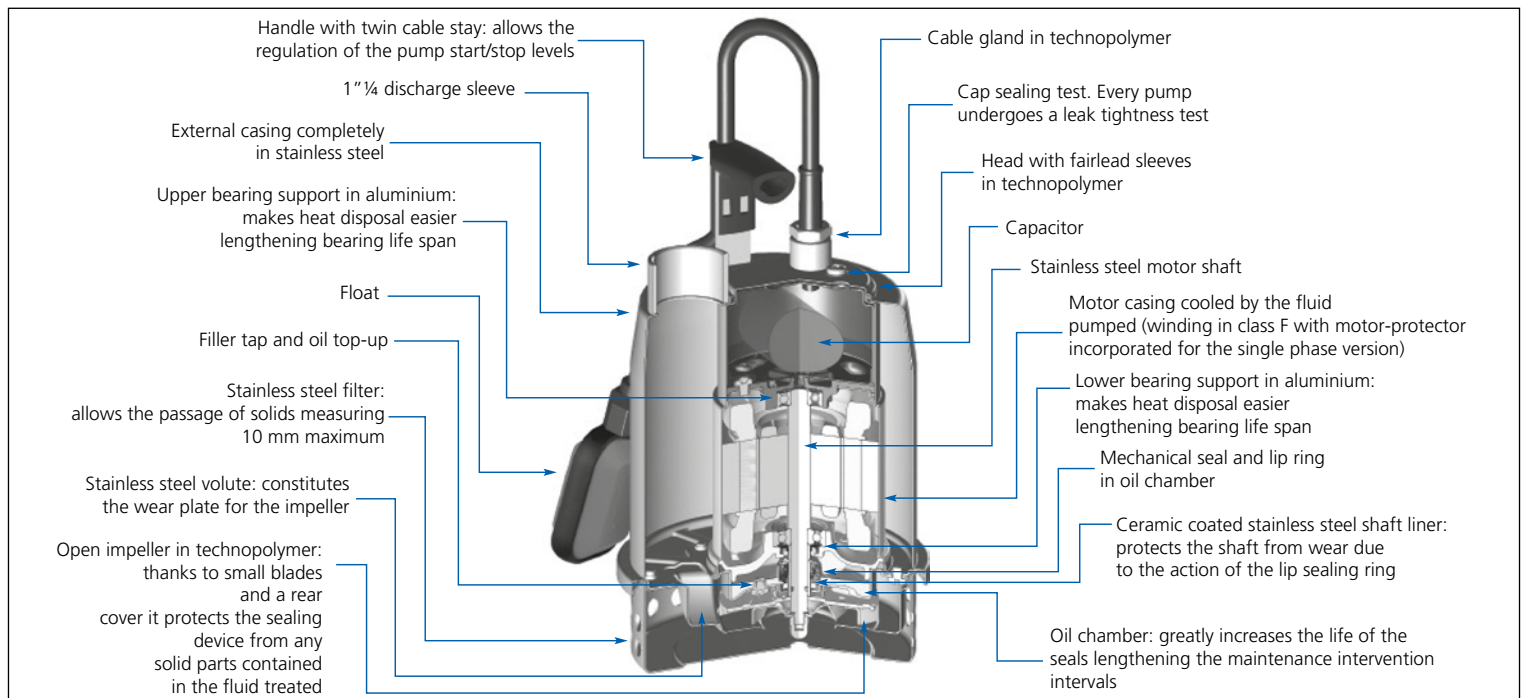
DIMENSIONS

OPTIMA MA

OPTIMA MS



SECTIONAL VIEW



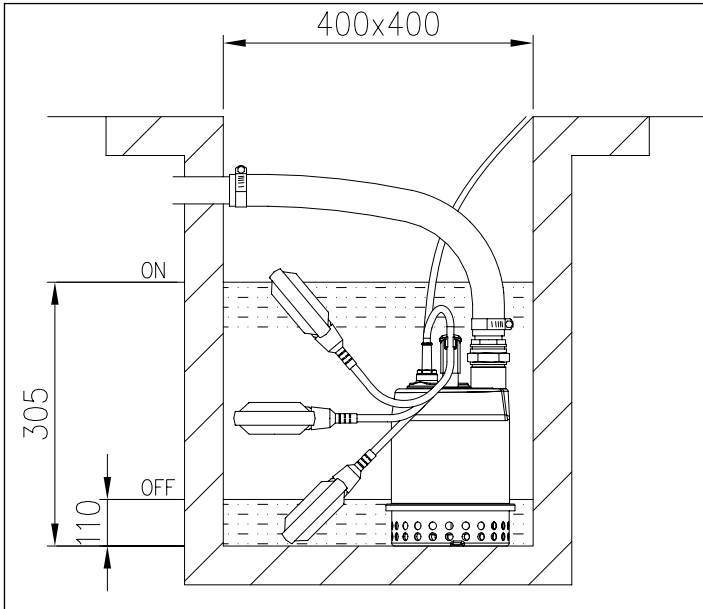
OPTIMA

SUBMERSIBLE ELECTRIC PUMPS

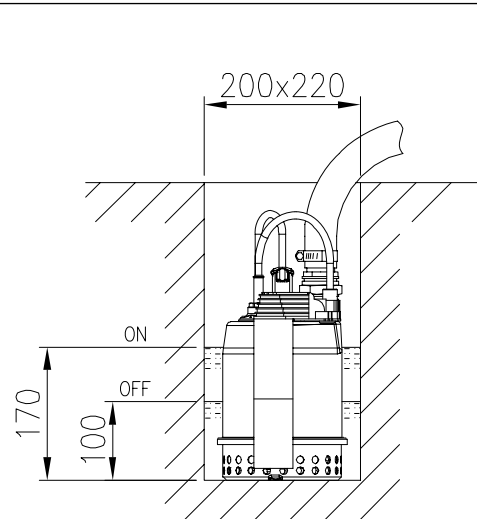
in AISI 304

INSTALLATION

OPTIMA MA



OPTIMA MS



OPTIONAL

MINIMUM SUCTION DEVICE



The minimum suction device allows to pump the liquid down to 3 mm from the ground (starting from at least 10 mm).

It is easily mounted on the OPTIMA, by simply pressing. The automatic playing of the pump with float switch doesn't allow to the minimum suction device to suck out the liquid up to 3 mm from ground level.

The contents of this publication must not be regarded as binding. EBARA Pumps Europe S.p.A. reserves the right to effect any modification it deems necessary, without prior notice.