

EBARA

	Page
- SPECIFICATIONS	200
SELECTION CHART	201
TYPE KEY	204
GAMMA	205
CURVE SPECIFICATIONS	206
PERFORMANCE CURVE DUMPER 1X	207
PERFORMANCE CURVE DUMPER 2X	208
PERFORMANCE CURVE DUMPER 3X 53.7	209
PERFORMANCE CURVE DUMPER 3X 55.5	210
PERFORMANCE CURVE DUMPER 3X 57.5	211
PERFORMANCE CURVE DUMPER 4X	212
PERFORMANCE CURVE DUMPER 6X 519	213
PERFORMANCE CURVE DUMPER 6X 526	214
PERFORMANCE CURVE DUMPER 6X/7X 537	215
PERFORMANCE CURVE DUMPER 8X	216
- CONSTRUCTIONS	300
SECTIONAL VIEW DUMPER 1X, 2X, 3X (except -S models), 4X, 6X, 7X, 8X	300
SECTIONAL VIEW TABLE DUMPER 1X, 2X, 3X (except -S models), 4X, 6X, 7X, 8X	301
SECTIONAL VIEW DUMPER 3X 5(3.7, 5.5, 7.5)-S	302
SECTIONAL VIEW TABLE DUMPER 3X 5(3.7, 5.5, 7.5)-S	303
MECHANICAL SEAL	304
BEARINGS	305
- DIMENSIONS AND WEIGHT	400
PUMP DUMPER 1X SERIES	400
PUMP DUMPER 2X SERIES	401
PUMP DUMPER 3X, 4X, 5X, 6X, 7X, 8X SERIES	402
PACKING	403
- TECHNICAL DATA	500

SELECTION CHART

50Hz

Rev. I

PUMP	Type of liquid		Water with mud contents		
	Max Temp.		[°C]	40°	
	Liquid Handled	Max solids size	[mm]	25x6	DUMPER 3X 53.7-(L, M)
				30x9.5	DUMPER 3X 5(5.5, 7.5)-M
				25.5x5	DUMPER 4X 512-M
				25.5x10	DUMPER 6X 5(19, 26, 37)-M
				Ø 6	DUMPER 1X, 2X, 3X 5(3.7, 5.5, 7.5)-S
				Ø 10	DUMPER 4X 512-S, 6X 5(19, 26)-S
				Ø 13	DUMPER 7X
				Ø 15	DUMPER 8X
	Submergence	Max	[m]	15	
		Min	[m]	0.127	
	Construction	Impeller	Open		
		Shaft seal type	Double mechanical seal wholly enclosed in a pressure compensated oil chamber		
	Connection	Suction		Strainer	
Discharge		Threaded (standard)	[inch]	2	DUMPER 1X, 2X 51.5-S
				3	DUMPER 2X 5(2.2, 3)-S, 3X-(S, M)
				4	DUMPER 3X-L, 4X 512-S, 6X 519-S
				6	DUMPER 4X 512-M, 6X 519-M, 6X 526-S, 7X
				8	DUMPER 6X 526-M, 6X 537-M, 8X 555-M
Discharge		Hose (Optional)	[mm]	10	DUMPER 8X 555-S
				50	DUMPER 1X, 2X 51.5-S
				75	DUMPER 2X 5(2.2, 3)-S, 3X-(S, M)
				100	DUMPER 3X-L, 4X 512-S, 6X 519-S
	150			DUMPER 4X 512-M, 6X 519-M, 6X 526-S, 7X	
			200	DUMPER 6X 526-M, 6X 537-M, 8X 555-M	
			250	DUMPER 8X 555-S	
Materials			Standard version	L material index version	
	Casing	Aluminium (up to 8 kW) Steel (from 12 kW and higher)		AISI 316	
	Impeller	Nitride hardened AISI 410			
	Suction Cover	AISI 304		AISI 316	
	Shaft	AISI 431			
	Mechanical seal	Tungsten Carbide / Tungsten Carbide / NBR (both sides)		Silicon Carbide / Silicon Carbide / Viton (both sides)	
	Diffuser	NBR coated		AISI 316	
	O-ring	NBR		Viton	
Applicable standard of test			ISO 9906 Annex A		

SELECTION CHART

50Hz

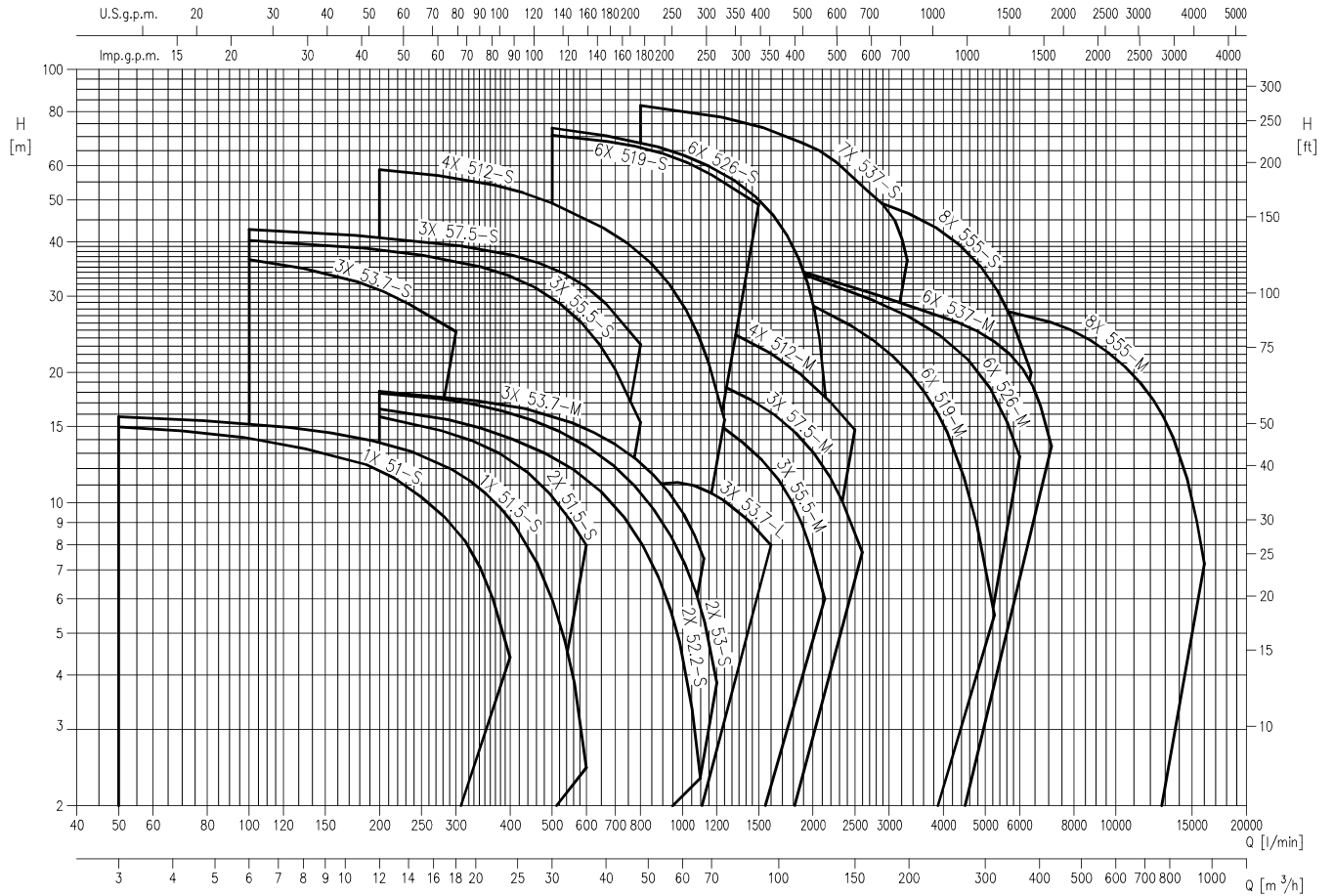
Rev. I

	Type	Induction, continuous rated, motor with squirrel cage rotor		
		Single Phase	Three Phase	
MOTOR	No. of Poles	2 4	DUMPER 1X ÷ 7X DUMPER 8X	
	Rotation speed [min ⁻¹]	2800 1400	DUMPER 1X ÷ 7X DUMPER 8X	
	Insulation Class	H		
	Protection degree	IP 68		
	Power Rating [kW]	1.5 ÷ 2.2	1 ÷ 55	
	[HP]	2 ÷ 3	1.3 ÷ 75	
	Frequency [Hz]	50		
	Voltage [V]	230 ±6%	400 ±6%	
	Starting	up to 8 kW	DOL	DOL
		12 kW and above	/	Y/Δ DOL (optional)
	Over load protection	Built in thermal probe - Protection must be provided by the user		
	Stator casing material	Aluminium AISI 316 (L material index)		
	Cable	material	H07RN-F	
		length [m]	20	
		stainless steel sheath (pump side) [m]	1 (except Dumper 1X)	
		Size	See page 400 - 401	
Bearings	up to 7.5 kW	Two single row, deep groove ball bearing		
	8 kW and above	Single row, deep groove (upper bearing) Double angular contact (lower bearings)		

SELECTION CHART

50Hz

Rev. I



SELECTION CHART

50Hz

Rev. I

Model (*)		P ₂		Capacity													
Single Phase	Three Phase	kW	HP	l/min	50	100	150	200	250	300	350	400	450	480	550	600	650
				m ³ /h	3	6	9	12	15	18	21	24	27	28,8	33	36	39
				Head in m													
-	DUMPER 1X 51-S T	1	1.3	15.6	15	14.1	13	11.9	10.3	8.7	6.7	4.4	-	-	-	-	-
-	DUMPER 1X 51.5-S T	1.5	2	16.3	15.8	15.2	14.6	13.8	12.9	11.8	10.5	9.2	7.6	6.7	4.3	2.5	-

Model (*)		P ₂		Capacity													
Single Phase	Three Phase	kW	HP	l/min	200	300	400	500	600	700	800	900	1000	1100	1200	1270	1400
				m ³ /h	12	18	24	30	36	42	48	54	60	66	72	76,2	84
				Head in m													
DUMPER 2X 51.5-S M-NC	-	1.5	2	17.9	15.8	14.3	12.6	10.4	8.0	-	-	-	-	-	-	-	-
DUMPER 2X 52.2-S M-NC	DUMPER 2X 52.2-S T	2.2	3	17.5	16.5	15.4	14.1	12.8	11.4	9.8	8.1	6.4	4.5	2.3	-	-	-
-	DUMPER 2X 53-S T	3	4	18.8	17.9	17.2	16.1	14.9	13.5	12.1	10.6	9.0	7.4	5.8	3.8	-	-

Model (*)		P ₂		Capacity													
Single Phase	Three Phase	kW	HP	l/min	100	200	300	420	600	800	1050	1120	1150	1600	2130	2600	3000
				m ³ /h	6	12	18	25,2	36	48	63	67,2	69	96	127,8	156	180
				Head in m													
-	DUMPER 3X 53.7-S T	3.7	5	42.5	36.4	31	24.8	-	-	-	-	-	-	-	-	-	-
-	DUMPER 3X 53.7-M T	3.7	5	19.8	-	18.1	17.4	16.6	14.8	12.4	8.7	7.4	-	-	-	-	-
-	DUMPER 3X 53.7-L T	3.7	5	13.3	-	-	13.1	13.0	12.7	12.2	11.0	10.8	10.6	8.0	-	-	-
-	DUMPER 3X 55.5-S T	5.5	7.5	42.5	40.3	38.6	36.8	33.1	25.3	15.4	-	-	-	-	-	-	-
-	DUMPER 3X 55.5-M T	5.5	7.5	26.6	-	25.1	24.3	23.3	21.8	20.0	17.6	17.0	16.7	12.2	6.0	-	-
-	DUMPER 3X 57.5-S T	7.5	10	44.5	42.5	41.5	39.4	36.8	30.7	23.2	-	-	-	-	-	-	-
-	DUMPER 3X 57.5-M T	7.5	10	24.0	-	-	22.9	22.2	21.4	20.6	19.6	19.3	19.1	16.2	12.0	7.7	-

Model (*)		P ₂		Capacity													
Single Phase	Three Phase	kW	HP	l/min	200	400	600	800	1000	1250	1600	2000	2500	3000	3500	4000	4450
				m ³ /h	12	24	36	48	60	75	96	120	150	180	210	240	267
				Head in m													
-	DUMPER 4X 512-S T-SD	12	16	64.5	58.5	53	45	37.5	28.8	15.6	-	-	-	-	-	-	-
-	DUMPER 4X 512-M T-SD	12	16	33.2	-	31.4	30.1	28.7	27.3	25.2	22.8	18.8	14.7	10	4.7	-	-

Model (*)		P ₂		Capacity													
Single Phase	Three Phase	kW	HP	l/min	500	1000	1500	2170	2280	3000	3750	4500	5250	6000	7100	8000	8600
				m ³ /h	30	60	90	130,2	136,8	180	225	270	315	360	426	480	516
				Head in m													
-	DUMPER 6X 519-S T-SD	19	25	77	70.5	61.5	49	27	-	-	-	-	-	-	-	-	-
-	DUMPER 6X 519-M T-SD	19	25	39	37.3	33.4	30.6	27.1	26.5	21.8	17	11.2	5.5	-	-	-	-
-	DUMPER 6X 526-S T-SD	26	35	82.5	73.5	63.5	50	14	-	-	-	-	-	-	-	-	-
-	DUMPER 6X 526-M T-SD	26	35	43.5	41	38.5	35.8	32.2	31.6	28.3	25.1	21.7	17.7	12.8	-	-	-
-	DUMPER 6X 537-M T-SD	37	50	43	-	38.1	36	32.9	32.4	29.5	27.4	25.6	23.5	20.8	13.5	-	-

Model (*)		P ₂		Capacity													
Single Phase	Three Phase	kW	HP	l/min	400	800	1200	1500	1800	2100	2400	2700	3000	3300	3600	3900	4200
				m ³ /h	24	48	72	90	108	126	144	162	180	198	216	234	252
				Head in m													
-	DUMPER 7X 537-S T-SD	37	50	88	-	82.5	78	74	69	64.5	58	52	47	36.3	-	-	-

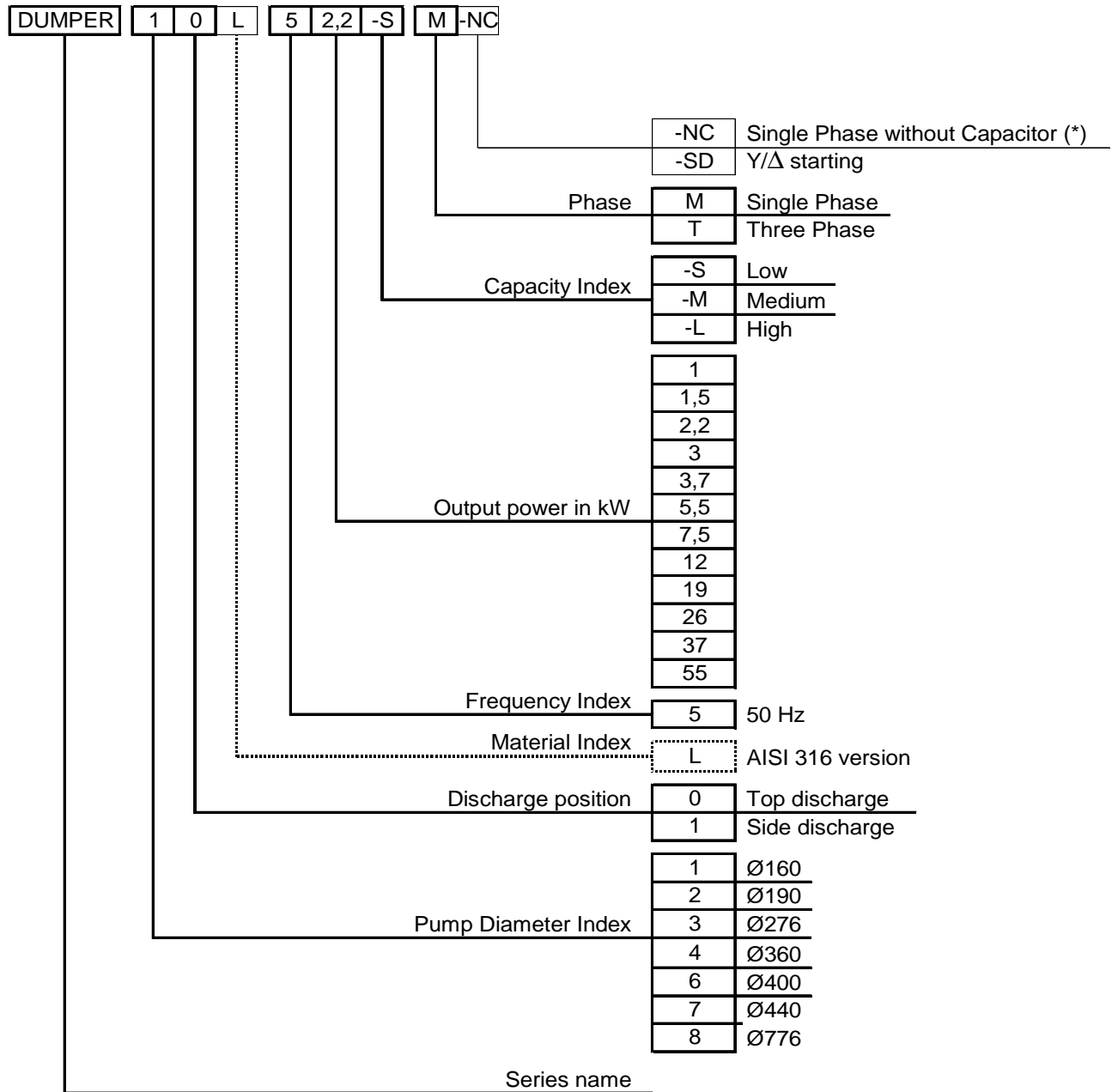
Model (*)		P ₂		Capacity													
Single Phase	Three Phase	kW	HP	l/min	750	1500	2250	3000	3750	5000	6375	8000	10000	12000	14000	16000	17500
				m ³ /h	45	90	135	180	225	300	382,5	480	600	720	840	960	1050
				Head in m													
-	DUMPER 8X 555-S T-SD	55	75	57.3	56.5	54.8	52.4	48.4	43.8	34	20	-	-	-	-	-	-
-	DUMPER 8X 555-M T-SD	55	75	34.1	-	31.8	30.9	30.1	29.2	28.2	26.9	24.9	21.5	17.7	13	7.2	-

(*) Replace letter "X" in pump name with:
 "O" for pump with "top discharge";
 "OL" for pump with "top discharge" in AISI 316;
 "1" for pump with "side discharge".

TYPE KEY

50Hz

Rev. I



(*) Control Box required

Note: after the series name can be inserted a letter depending on the product review.

✓
available
⊘
not available



Pump diameter index (*)	Discharge position & Material Index		
	0	0L	1
1X	✓	✓	⊘
2X	✓	✓	⊘
3X	✓	✓	✓
4X	✓	✓	✓
6X	✓	✓	✓
7X	✓	✓	⊘
8X	✓	⊘	⊘

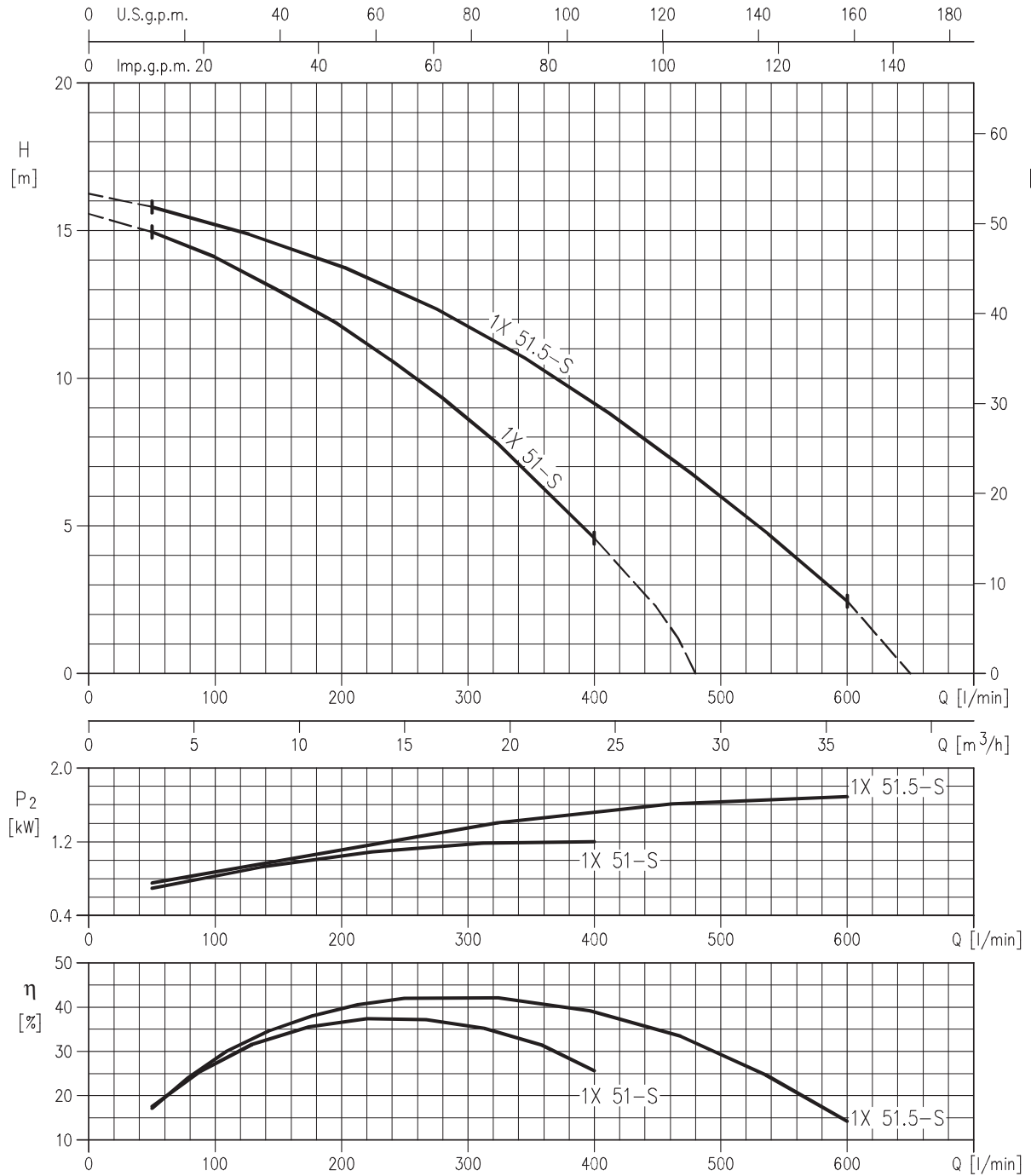
(*) Replace letter "X" in pump name with:
 "0" for pump with "top discharge";
 "0L" for pump with "top discharge" in AISI 316;
 "1" for pump with "side discharge".

PERFORMANCE CURVE SPECIFICATIONS

The specifications below qualify the curves shown on the following pages.

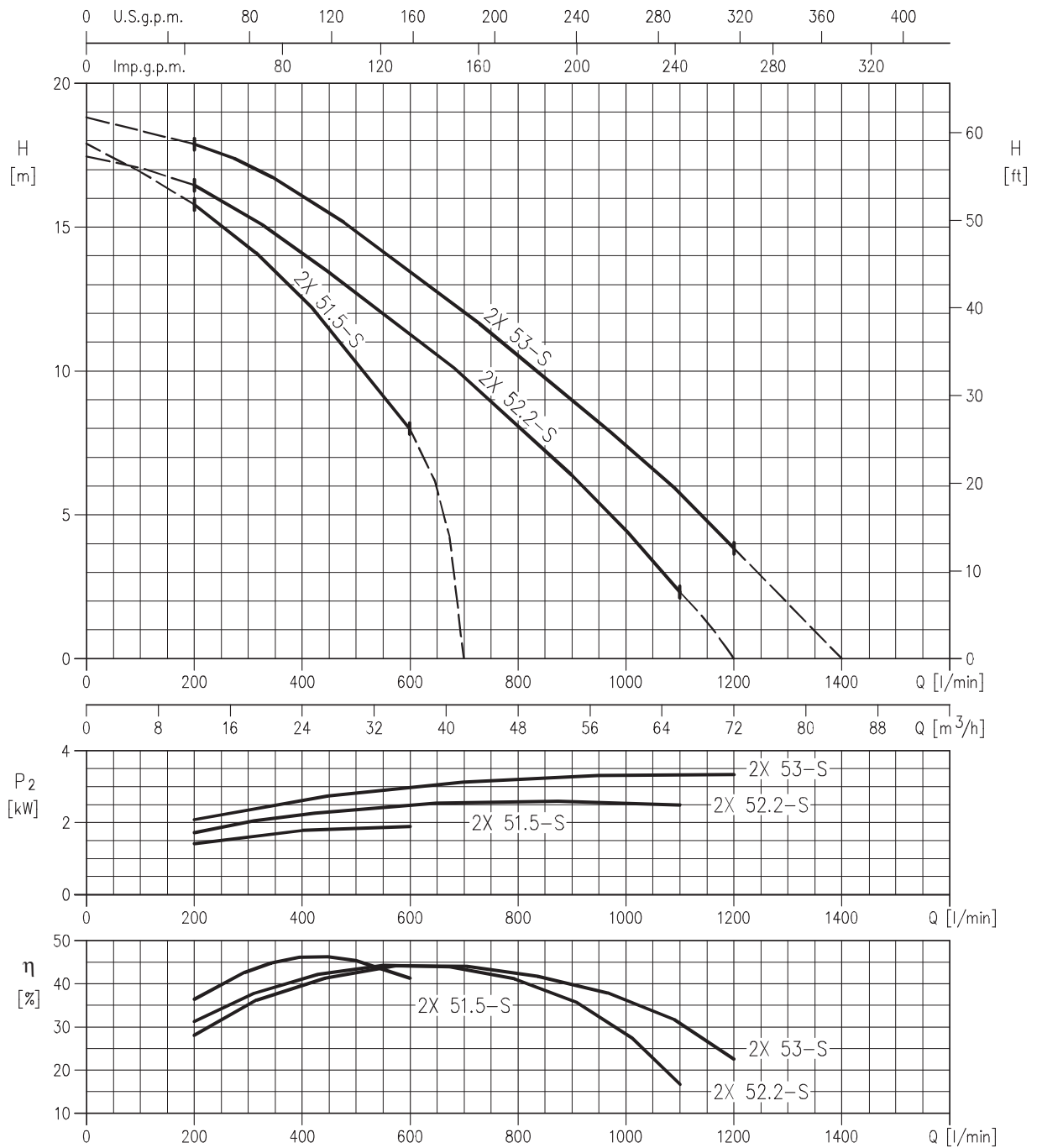
- ◆ Tolerances according to ISO 9906 Annex A
- ◆ The curves refer to effective speed of asynchronous motors at 50 Hz
- ◆ Measurements were carried out with clean water at 20°C of temperature and with a kinematic viscosity of $\nu = 1 \text{ mm}^2/\text{s}$ (1 cSt)
- ◆ The continuous curves indicate the recommended working range
- ◆ Symbols explanation:
 - Q = volume flow rate
 - H = total head
 - P_2 = pump power input (shaft power)
 - η = pump efficiency

DUMPER 1X 51-S (1kW)
DUMPER 1X 51.5-S (1.5kW)



Rotation speed $\approx 2850 \text{ min}^{-1}$
 Test standard: ISO 9906 – Annex A

DUMPER 2X 51.5-S (1.5kW)
DUMPER 2X 52.2-S (2.2kW)
DUMPER 2X 53-S (3kW)



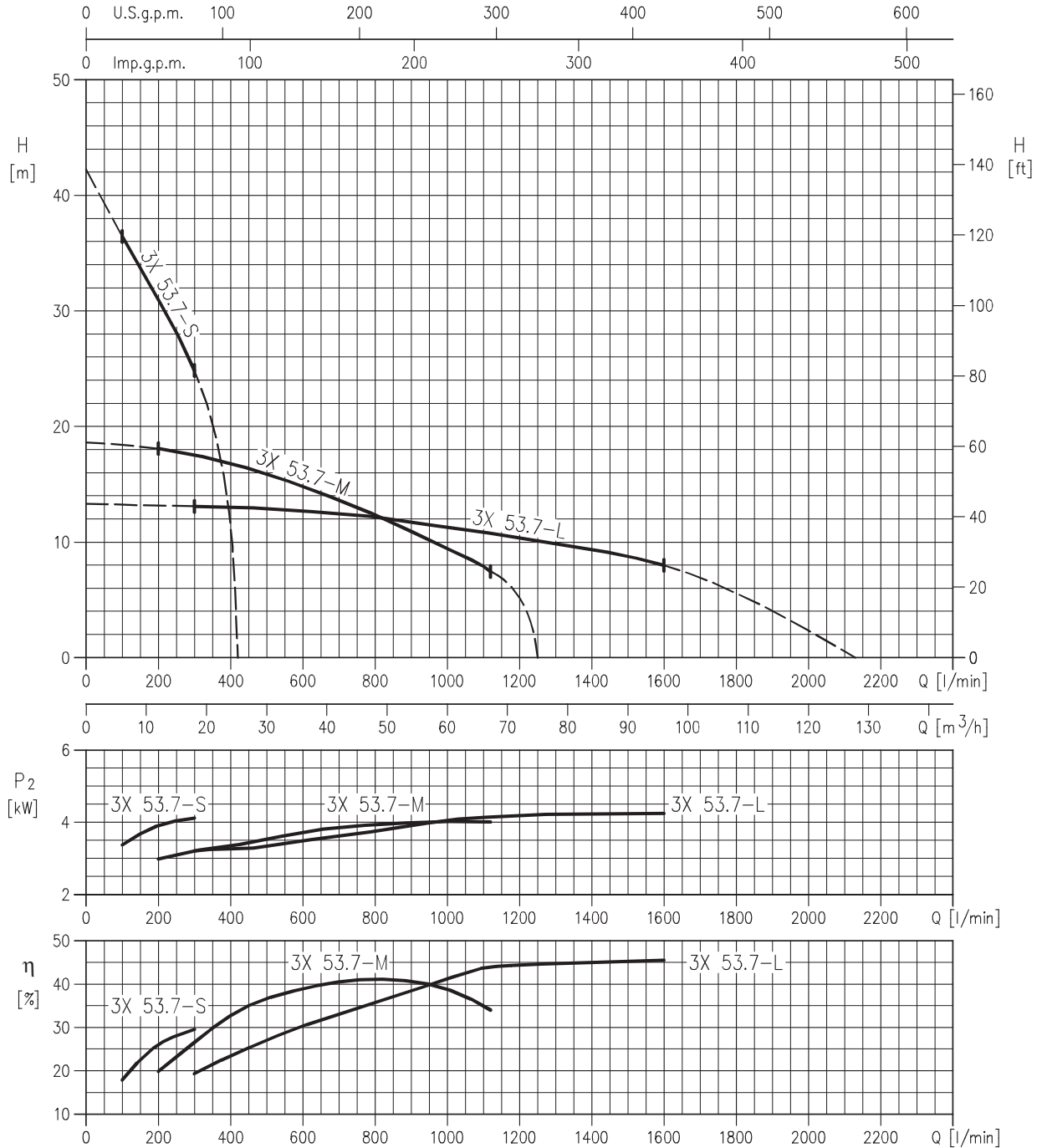
Rotation speed ≈ 2850 min⁻¹
 Test standard: ISO 9906 – Annex A

PERFORMANCE CURVE

50Hz

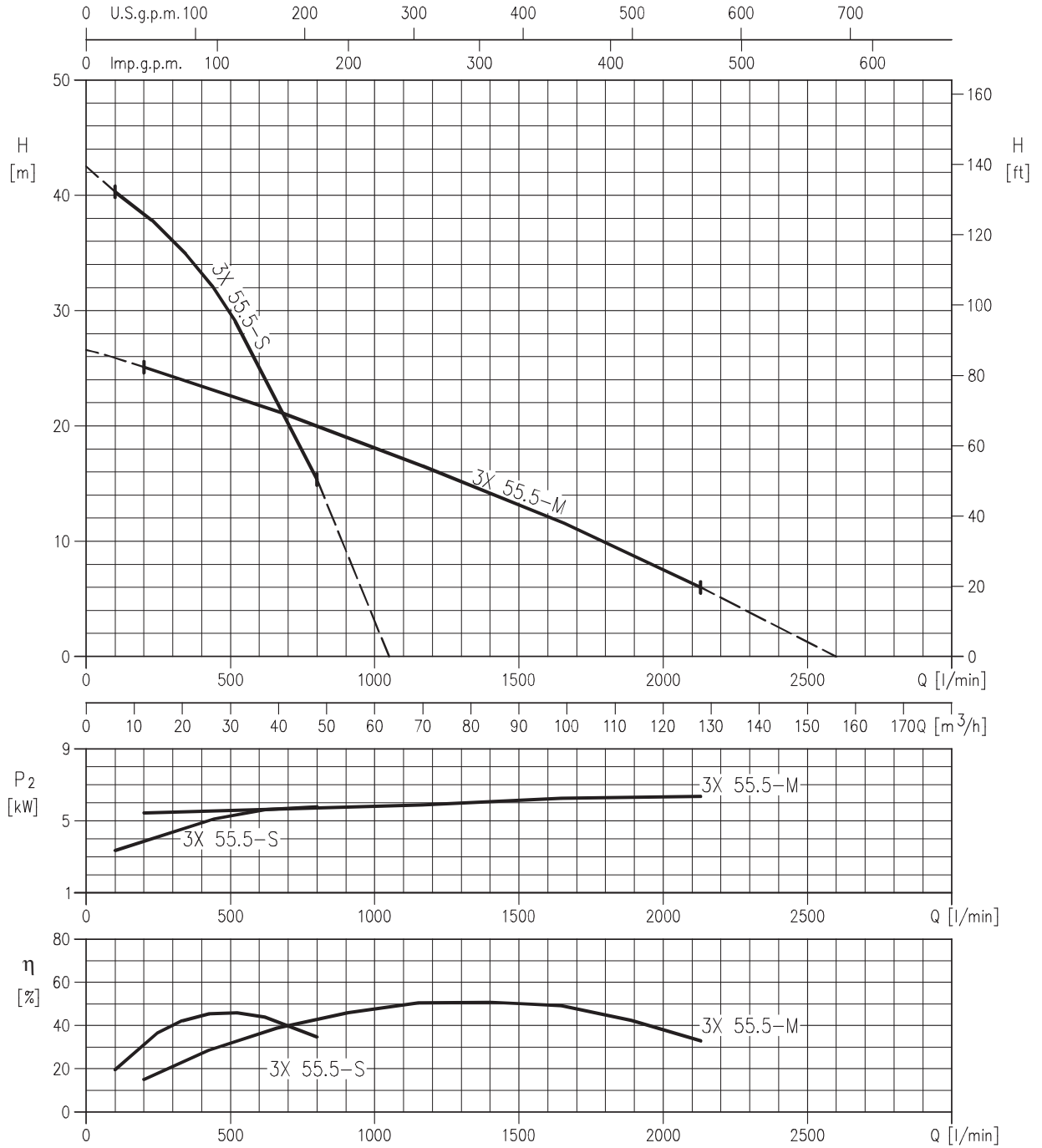
Rev. I

DUMPER 3X 53.7-S (3.7kW)
DUMPER 3X 53.7-M (3.7kW)
DUMPER 3X 53.7-L (3.7kW)



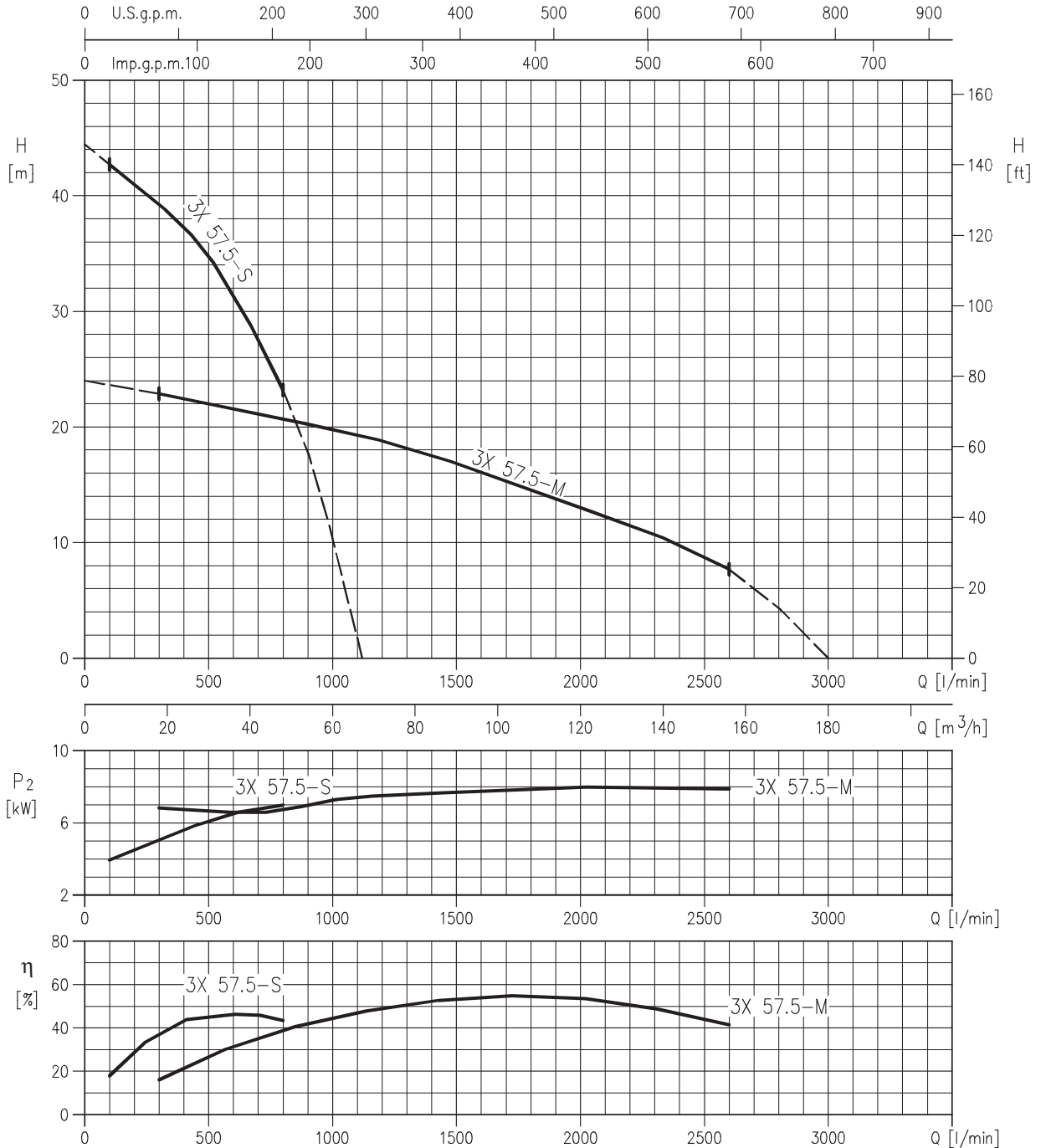
Rotation speed $\approx 2850 \text{ min}^{-1}$
 Test standard: ISO 9906 – Annex A

DUMPER 3X 55.5-S (5.5kW)
DUMPER 3X 55.5-M (5.5kW)



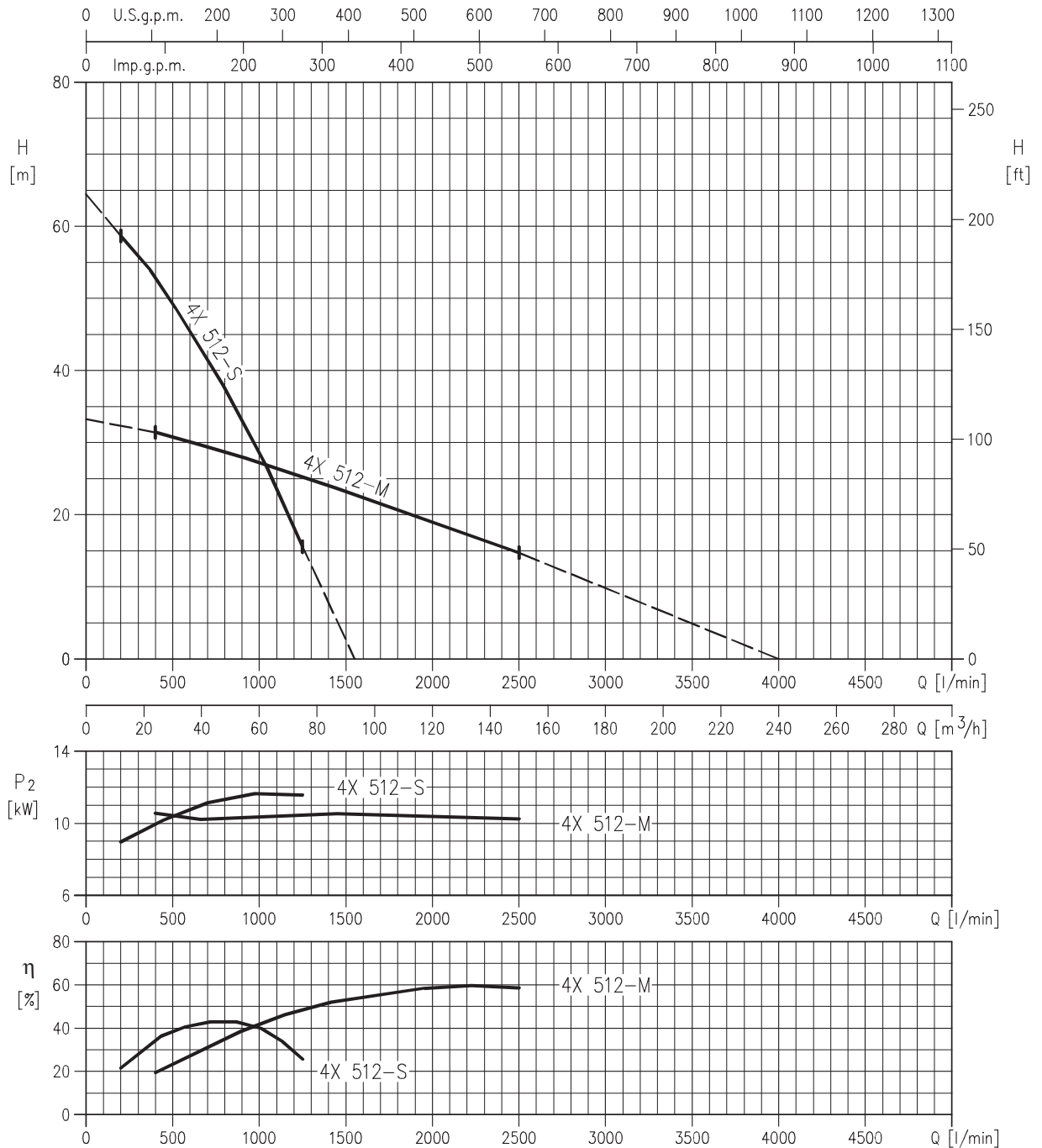
Rotation speed $\approx 2850 \text{ min}^{-1}$
 Test standard: ISO 9906 – Annex A

DUMPER 3X 57.5-S (7.5kW)
DUMPER 3X 57.5-M (7.5kW)



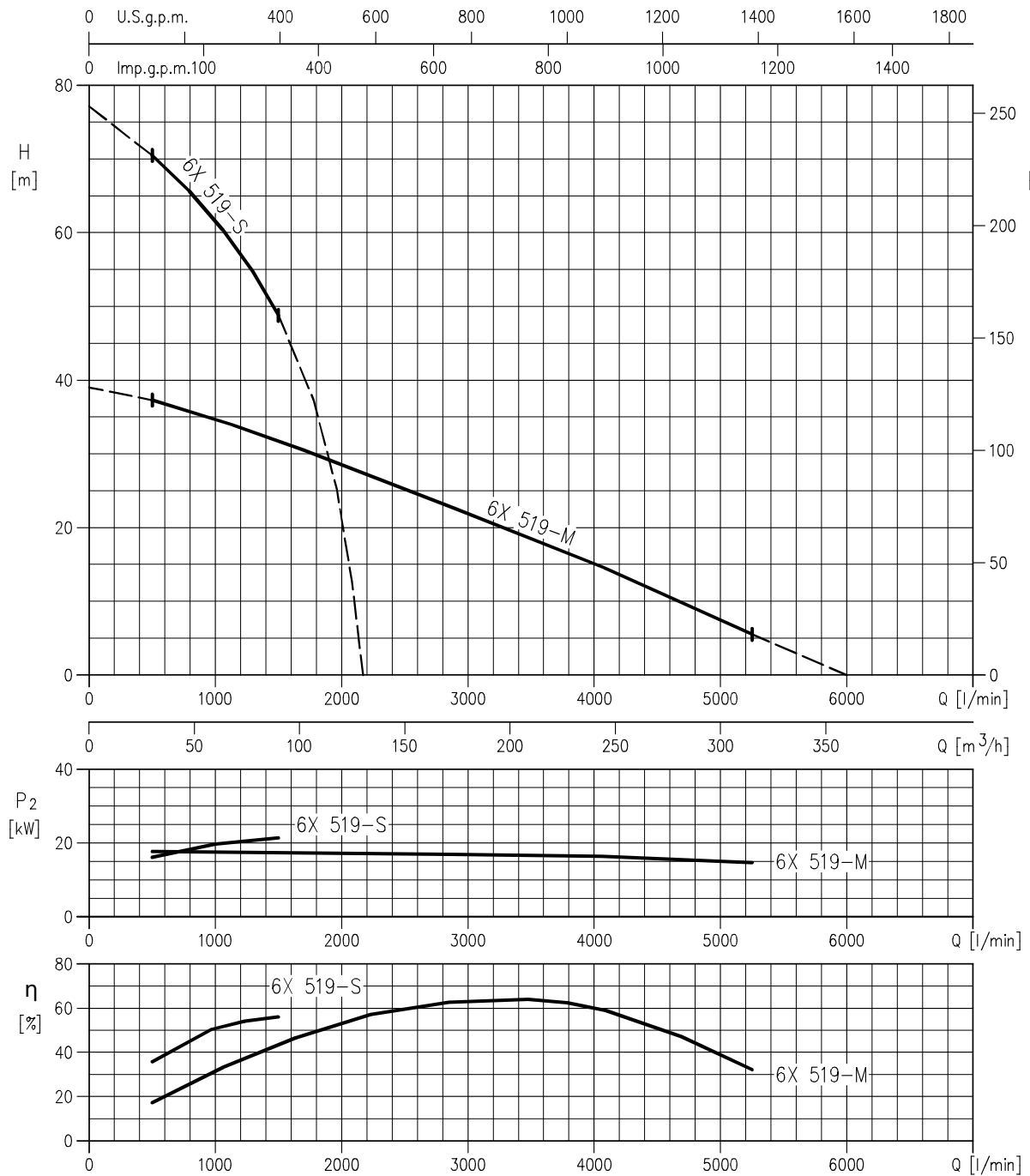
Rotation speed ≈ 2850 min⁻¹
 Test standard: ISO 9906 – Annex A

DUMPER 4X 512-S (12kW)
DUMPER 4X 512-M (12kW)



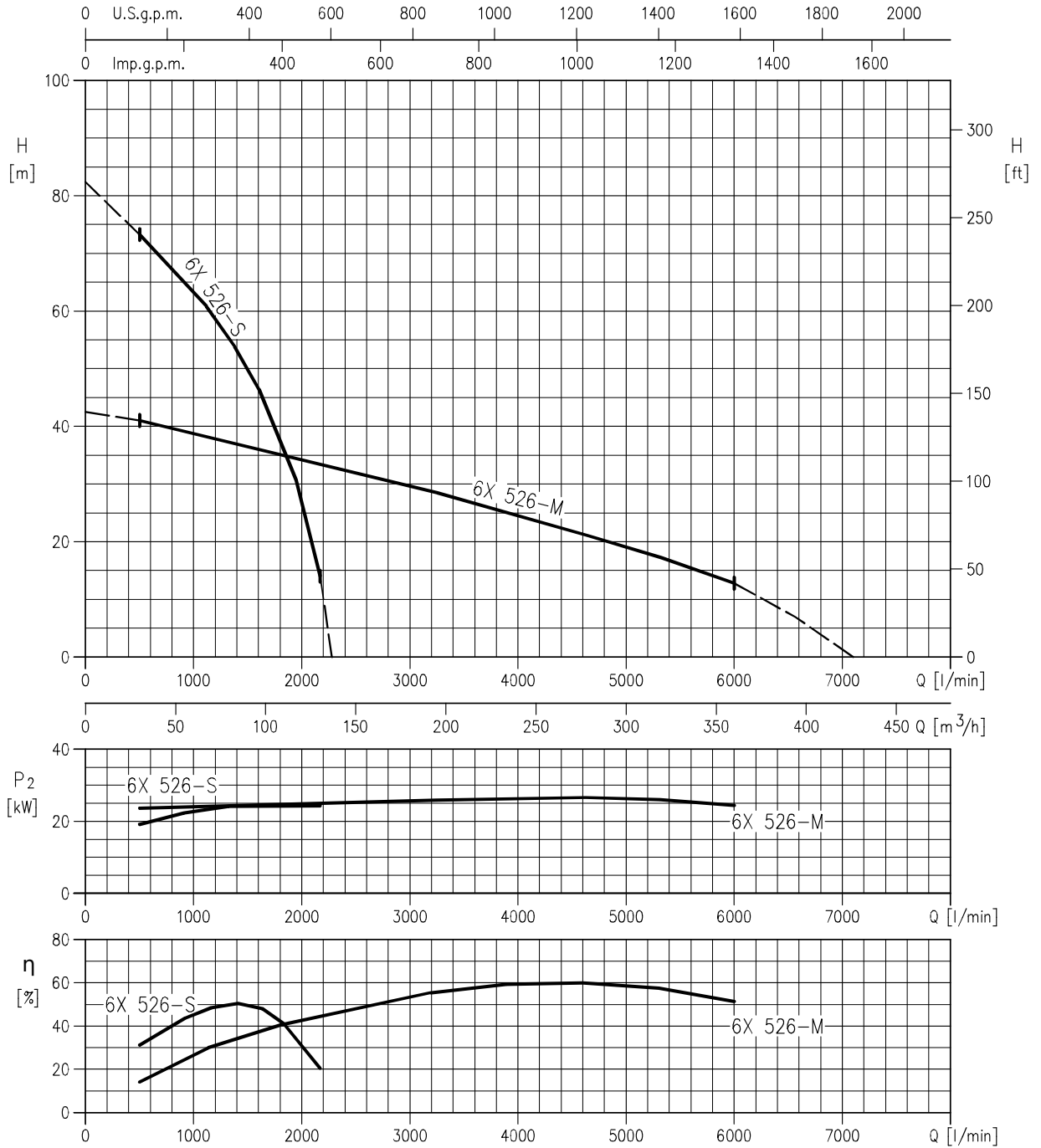
Rotation speed ≈ 2850 min⁻¹
 Test standard: ISO 9906 – Annex A

DUMPER 6X 519-S (19kW)
DUMPER 6X 519-M (19kW)



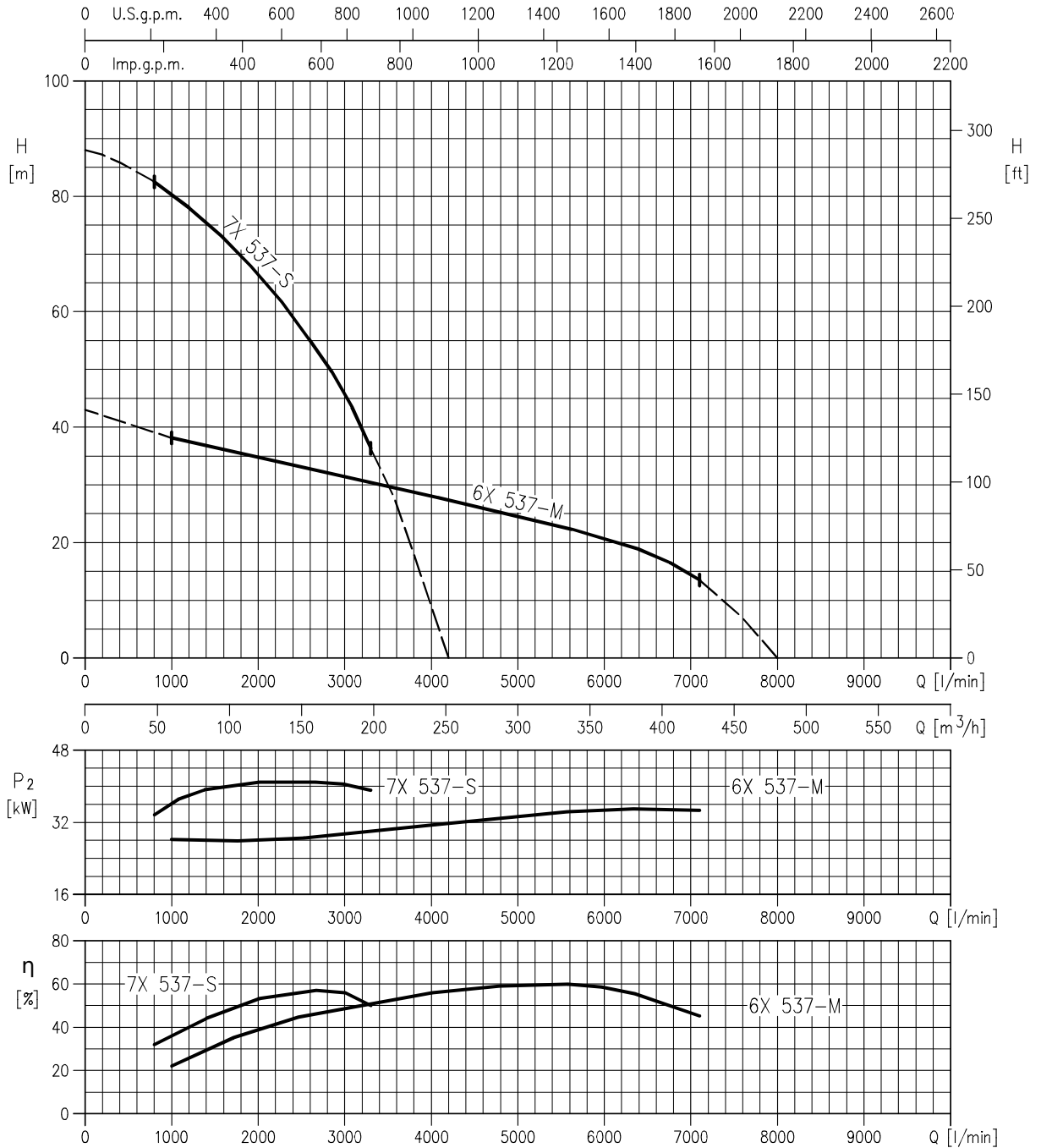
Rotation speed $\approx 2850 \text{ min}^{-1}$
 Test standard: ISO 9906 – Annex A

DUMPER 6X 526-S (26kW)
DUMPER 6X 526-M (26kW)



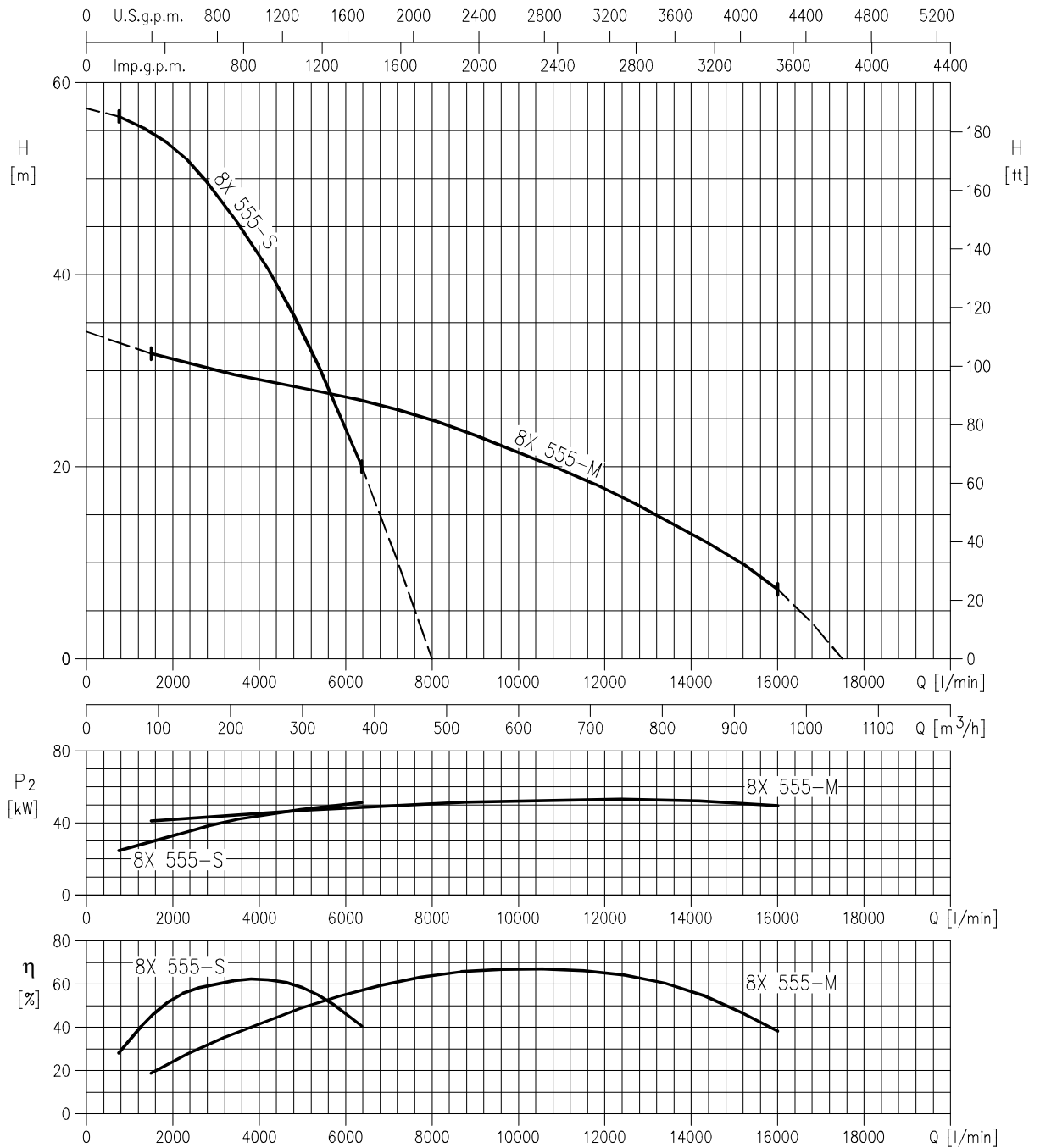
Rotation speed $\approx 2850 \text{ min}^{-1}$
 Test standard: ISO 9906 – Annex A

DUMPER 6X 537-M (37kW)
DUMPER 7X 537-S (37kW)



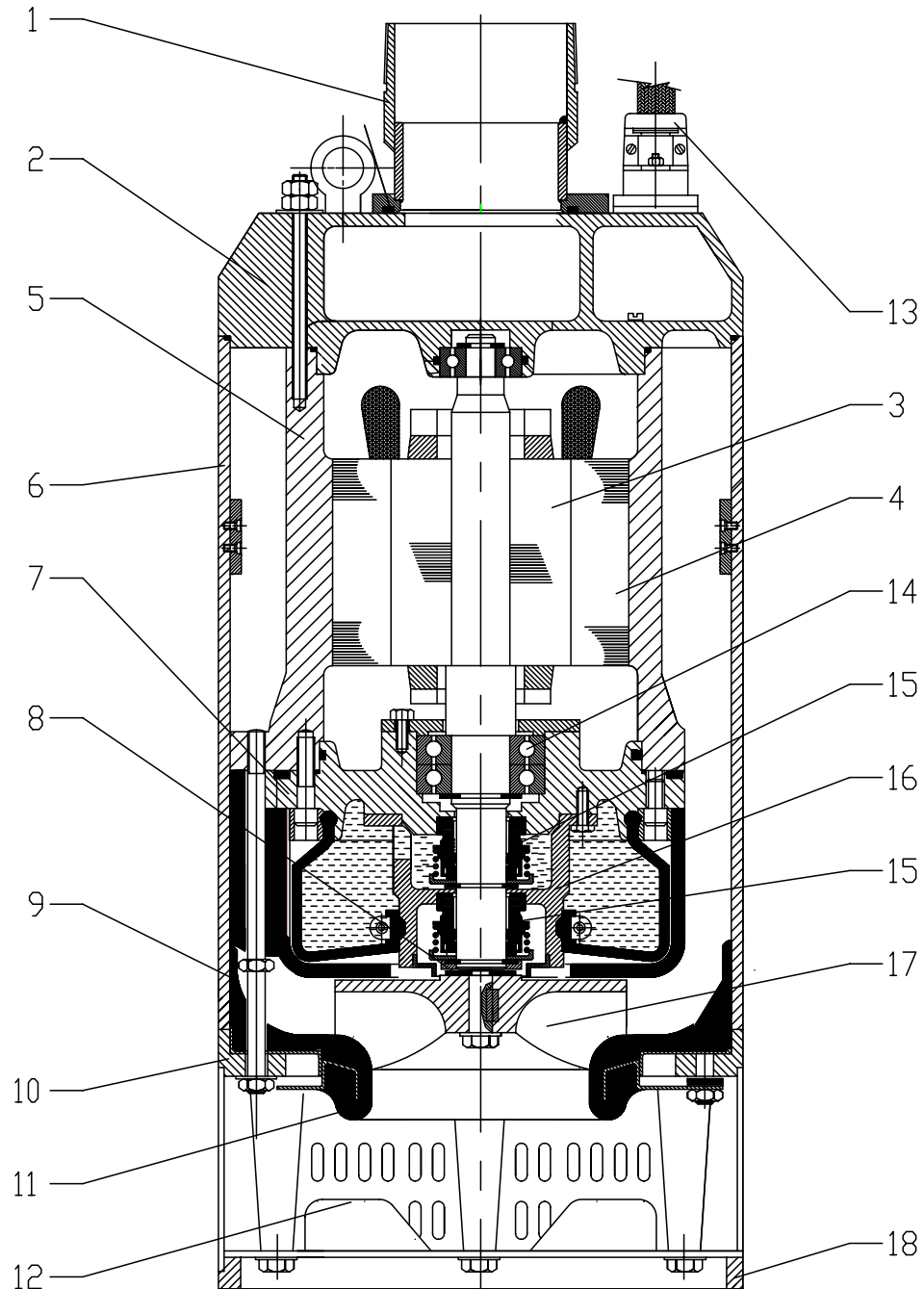
Rotation speed ≈ 2850 min⁻¹
 Test standard: ISO 9906 – Annex A

DUMPER 8X 555-S (55kW)
DUMPER 8X 555-M (55kW)



Rotation speed ≈ 1400 min⁻¹
 Test standard: ISO 9906 – Annex A

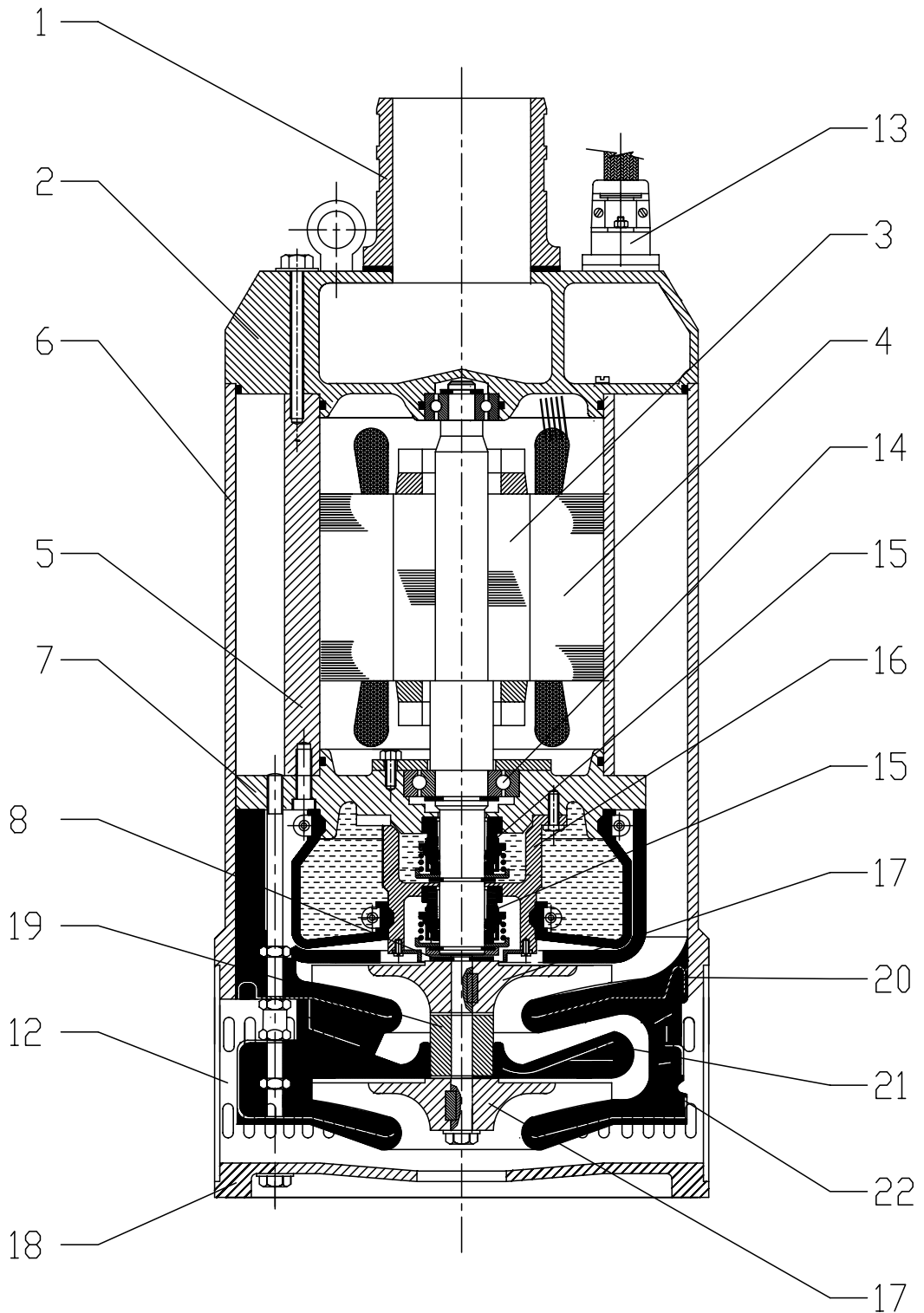
SECTIONAL VIEW DUMPER 1X, 2X, 3X (except -S models), 4X, 6X, 7X. 8X



SECTIONAL VIEW TABLE DUMPER 1X, 2X, 3X (except -S models), 4X, 6X, 7X, 8X

N°	PART NAME	Q.TY
1	DISCHARGE OUTLET	1
2	TOP BRACKET	1
3	ROTOR COMPLETE	1
4	BARE STATOR	1
5	STATOR CASING	1
6	OUTER CASING	1
7	LOWER BEARING BRACKET	1
8	TRIMMING SPACER	AS REQD.
9	DIFFUSER RING	1
10	DIFFUSER HOLDER	1
11	DIFFUSER CENTRE	1
12	STRAINER	1
13	CABLE GLAND (Order with grip)	1
14	LOWER BEARING	1 SET
15	MECHANICAL SEAL	2
16	SEAL HOUSING	1
17	IMPELLER	1
18	BASE PLATE	1

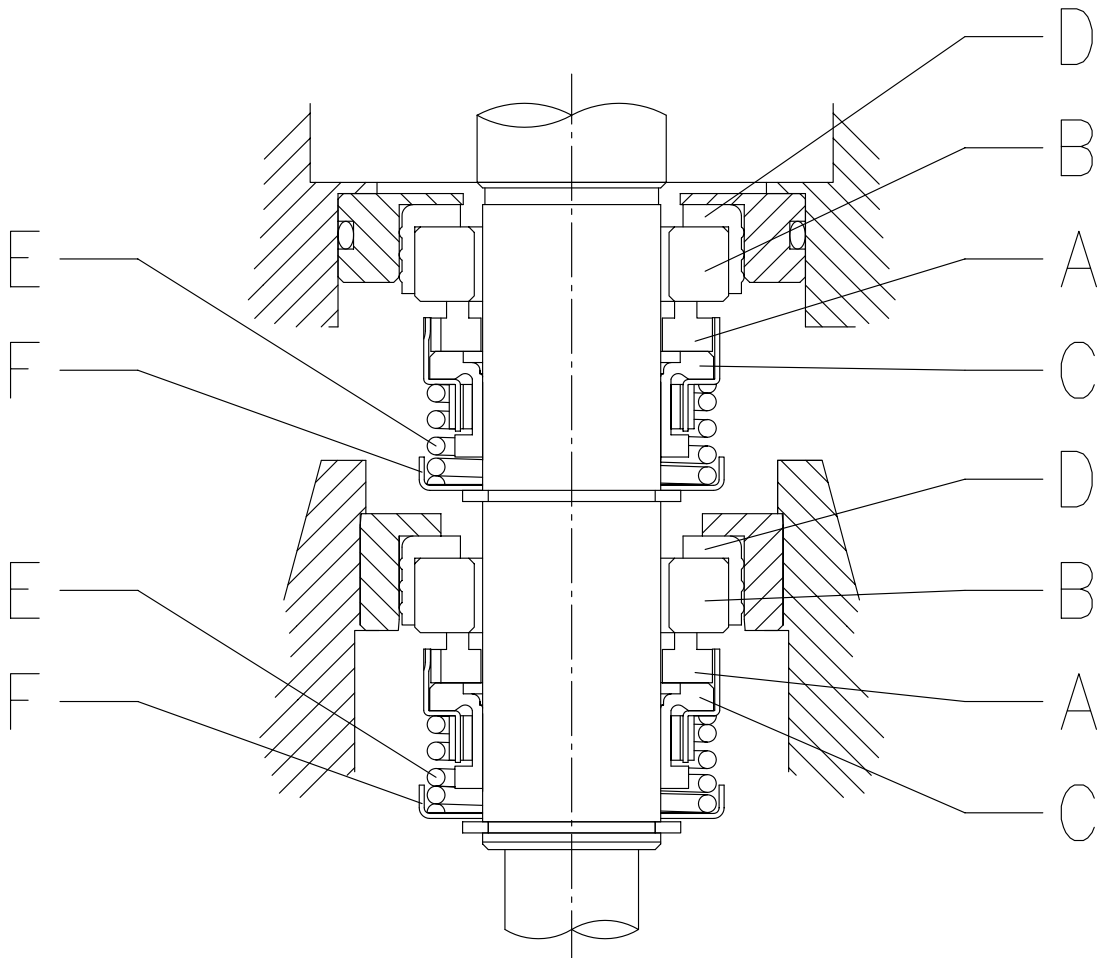
SECTIONAL VIEW DUMPER 3X (53.7, 55.5, 57.5)-S



SECTIONAL VIEW TABLE DUMPER 3X (53.7, 55.5, 57.5)-S

N°	PART NAME	Q.TY
1	OUTLET	1
2	TOP BRACKET	1
3	ROTOR COMPLETE	1
4	BARE STATOR	1
5	STATOR CASING	1
6	OUTER CASING	1
7	LOWER BEARING BRACKET	1
8	TRIMMING SPACER	AS REQD.
12	STRAINER	1
13	CABLE GLAND	1
14	LOWER BEARING	1
15	MECHANICAL SEAL	2
16	SEAL HOUSING	1
17	IMPELLER	2
18	BASE PLATE	1
19	SHAFT SLEEVE	1
20	DIFFUSOR(UPPER)	1
21	GUIDE PLATE	1
22	DIFFUSOR(LOWER)	1

MECHANICAL SEAL

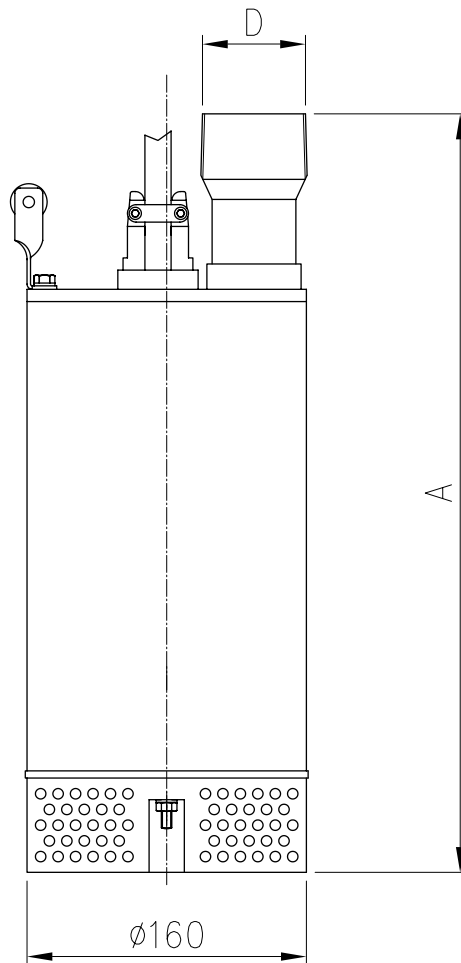


REF	PART NAME	MATERIAL	
		Standard	L version
A	Rotary seal ring	Tungsten Carbide	Silicon Carbide
B	Stationary seal ring	Tungsten Carbide	Silicon Carbide
C	Gasket	NBR	Viton
D	Gasket	NBR	Viton
E	Self driving spring	Stainless steel	Stainless steel
F	Frame	Stainless steel	Stainless steel

BEARINGS

Pump	bearing	
	upper	lower
DUMPER 1X 51-S T	6203 ZZ	6303 ZZ
DUMPER 1X 51.5-S T	6203 ZZ	6303 ZZ
DUMPER 2X 51.5-S M-NC	6203 ZZ	6206 ZZ
DUMPER 2X 52.2-S T	6203 ZZ	6206 ZZ
DUMPER 2X 52.2-S M-NC	6203 ZZ	6206 ZZ
DUMPER 2X 53-S T	6203 ZZ	6206 ZZ
DUMPER 3X 53.7-L T	6304 ZZ	6306 ZZ
DUMPER 3X 53.7-M T	6304 ZZ	6306 ZZ
DUMPER 3X 53.7-S T	6304 ZZ	6306 ZZ
DUMPER 3X 55.5-M T	6304 ZZ	6306 ZZ
DUMPER 3X 55.5-S T	6304 ZZ	6306 ZZ
DUMPER 3X 57.5-M T	6304 ZZ	6306 ZZ
DUMPER 3X 57.5-S T	6304 ZZ	6306 ZZ
DUMPER 4X 512-M T-SD	6305 ZZ	7308 BEC/BJ
DUMPER 4X 512-S T-SD	6305 ZZ	7308 BEC/BJ
DUMPER 6X 519-M T-SD	6305 ZZ	7310 BEC/BJ
DUMPER 6X 519-S T-SD	6305 ZZ	7310 BEC/BJ
DUMPER 6X 526-M T-SD	6306 ZZ	7310 BEC/BJ
DUMPER 6X 526-S T-SD	6306 ZZ	7310 BEC/BJ
DUMPER 6X 537-M T-SD	6306 ZZ	7310 BEC/BJ
DUMPER 7X 537-S T-SD	6306 ZZ	7311 BEC/BJ
DUMPER 8X 555-M T-SD	6312 ZZ	3316 BEC/BJ
DUMPER 8X 555-S T-SD	6312 ZZ	3316 BEC/BJ

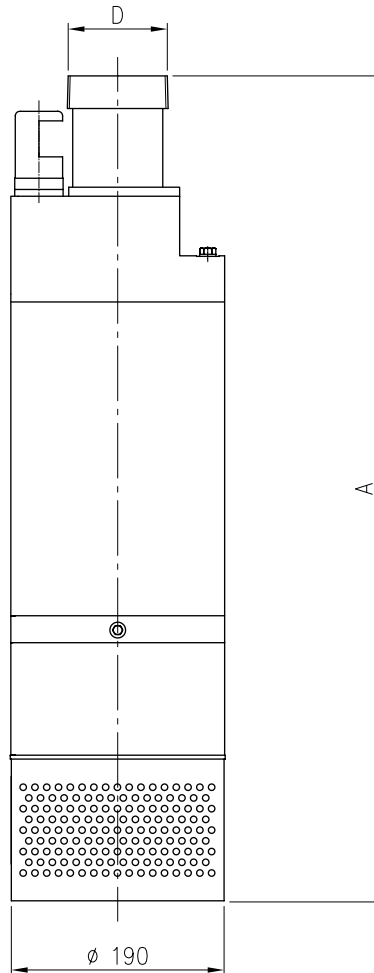
PUMP DUMPER 1X



Model	A [mm]	Dimensions		Weight [kg]
		$\varnothing D$ [inch]	d* [mm]	
DUMPER 1X 51-ST	420	2	1.5	21
DUMPER 1X 51.5-ST	432			23

* = Cable diameter

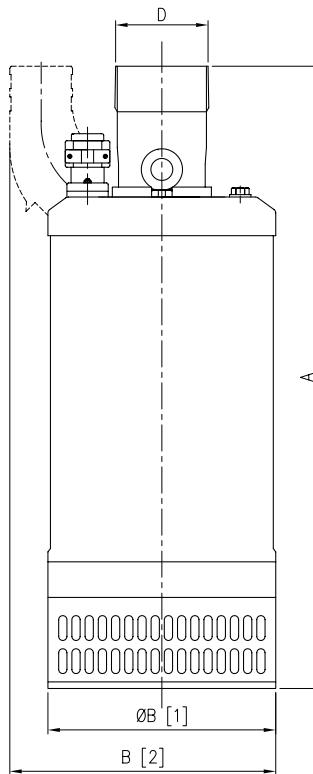
PUMP DUMPER 2X



Model	A [mm]	Dimensions		Weight [kg]
		ØD [inch]	d* [mm]	
DUMPER 2X 51.5-SM-NC	667	2	1.5	39
DUMPER 2X 52.2-ST	667	3		37
DUMPER 2X 52.2-SM-NC	725			45
DUMPER 2X 53-ST	700			42

* = Cable diameter

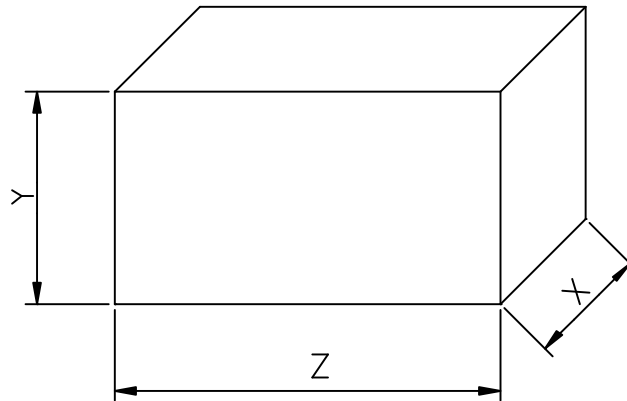
PUMP DUMPER 3X, 4X, 6X, 7X, 8X SERIES



Model	Dimensions					Weight [kg]	
	A [mm]	B [mm]		D [inch]	d* [mm]		
		(X = 0, 0L version) [1]	(X = 1 version) [2]				
DUMPER 3X 53.7-L T	640	Ø276	330	4	2.5	49	
DUMPER 3X 53.7-M T				3		47	
DUMPER 3X 53.7-S T				3		60	
DUMPER 3X 55.5-M T	725			4		62	
DUMPER 3X 55.5-S T				3		67	
DUMPER 3X 57.5-M T	750					4	4
DUMPER 3X 57.5-S T		-	3	73			
DUMPER 4X 512-M T	845	Ø360	405	6	6	132	
DUMPER 4X 512-S T				4		147	
DUMPER 6X 519-M T	915	Ø400	455	6	6	205	
DUMPER 6X 519-S T				4		210	
DUMPER 6X 526-M T	1029			8		255	
DUMPER 6X 526-S T				6		260	
DUMPER 6X 537-M T	1055			-		8	275
DUMPER 7X 537-S T				Ø440		-	6
DUMPER 8X 555-M T	1538	Ø776	-	6	10	630	
DUMPER 8X 555-S T				10			

*: Cable diameter

PACKING



Model	Dimensions [mm]			WEIGHT [kg]	Packaging Type
	X	Y	Z		
DUMPER 1X 51-S T	190	508	190	24	CARTON BOX
DUMPER 1X 51.5-S T				27	
DUMPER 2X 51.5-S M-NC	330	450	995	55	WOODEN BOX
DUMPER 2X 52.2-S T				52	
DUMPER 2X 52.2-S M-NC				60	
DUMPER 2X 53-S T				57	
DUMPER 3X 53.7-L T	430	555	915	70	
DUMPER 3X 53.7-M T				67	
DUMPER 3X 53.7-S T				80	
DUMPER 3X 55.5-M T				87	
DUMPER 3X 55.5-S T				90	
DUMPER 3X 57.5-M T				95	
DUMPER 3X 57.5-S T				98	
DUMPER 4X 512-M T	457	406	915	162	
DUMPER 4X 512-S T				177	
DUMPER 6X 519-M T	559	483	1067	245	
DUMPER 6X 519-S T				250	
DUMPER 6X 526-M T	533	483	1118	305	
DUMPER 6X 526-S T				310	
DUMPER 6X 537-M T	483	584	1143	325	
DUMPER 7X 537-S T				460	
DUMPER 8X 555-M T	890	890	1650	700	
DUMPER 8X 555-S T					

Model		P ₂		Locked rotor current [A]				Input in [kW]		Full load current [A]			
Single Phase	Three Phase	kW	HP	Single Phase 230 V	Three Phase 376 V 400 V 424 V			Single Phase	Three Phase	Single Phase 230 V	Three Phase 376 V 400 V 424 V		
-	DUMPER 1X 51-S T	1	1,3	-	13.3	12.5	11.8	-	1.2	-	2.6	2.4	2.3
-	DUMPER 1X 51.5-S T	1.5	2	-	19.6	18.4	17.4	-	1.9	-	4.2	3.9	9.7
DUMPER 2X 51.5-S M-NC	-	1.5	2	32	-	-	-	1.9	-	13	-	-	-
DUMPER 2X 52.2-S M-NC	DUMPER 2X 52.2-S T	2.2	3	60	31.9	30	28.3	2.8	2.8	19	5.9	5.5	5.3
-	DUMPER 2X 53-S T	3	4	-	43.1	40.5	38.2	-	3.8	-	8.5	8	7.6
-	DUMPER 3X 53.7-L T	3.7	5	-	58.2	54.7	51.6	-	4.2	-	8.6	8.1	7.6
-	DUMPER 3X 53.7-M T												
-	DUMPER 3X 53.7-S T												
-	DUMPER 3X 55.5-M T	5.5	7.5	-	84.1	79.1	74.6	-	7	-	13.2	12.5	11.8
-	DUMPER 3X 55.5-S T												
-	DUMPER 3X 57.5-M T	7.5	10	-	112	105	99	-	8.4	-	17	16	15.1
-	DUMPER 3X 57.5-S T												
-	DUMPER 4X 512-M T	12	16	-	151	142	134	-	13.2	-	25.5	24	22.6
-	DUMPER 4X 512-S T												
-	DUMPER 6X 519-M T	19	25	-	339	319	301	-	21	-	41.5	39	36.8
-	DUMPER 6X 519-S T												
-	DUMPER 6X 526-M T	26	35	-	484	455	429	-	27	-	54.3	51	48.1
-	DUMPER 6X 526-S T												
-	DUMPER 6X 537-M T	37	50	-	606	570	538	-	39	-	68.1	64	60.4
-	DUMPER 7X 537-S T												
-	DUMPER 8X 555-M T	55	75	-	576	542	511	-	59	-	108	102	96
-	DUMPER 8X 555-S T												

Condensers and relay for single-phase motors			
Start-up condenser Sc	[μF]	215-259	
	[V]	220-250	
Operating condenser Rc	[μF]	36	
	[V]	440	
Start-up relay	Maximum voltage	[V]	232
	Release voltage	[V]	244-270
	Graft voltage	[V]	40-90